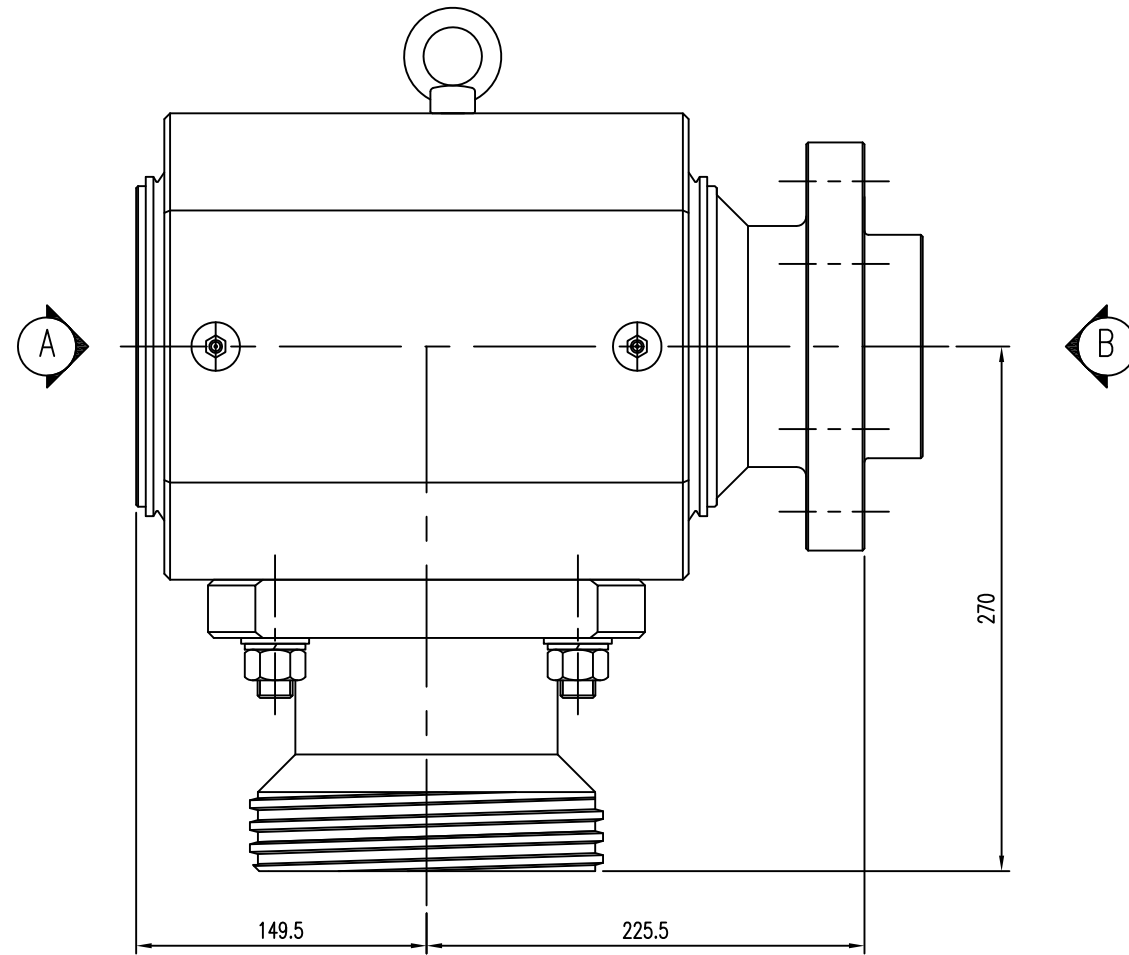
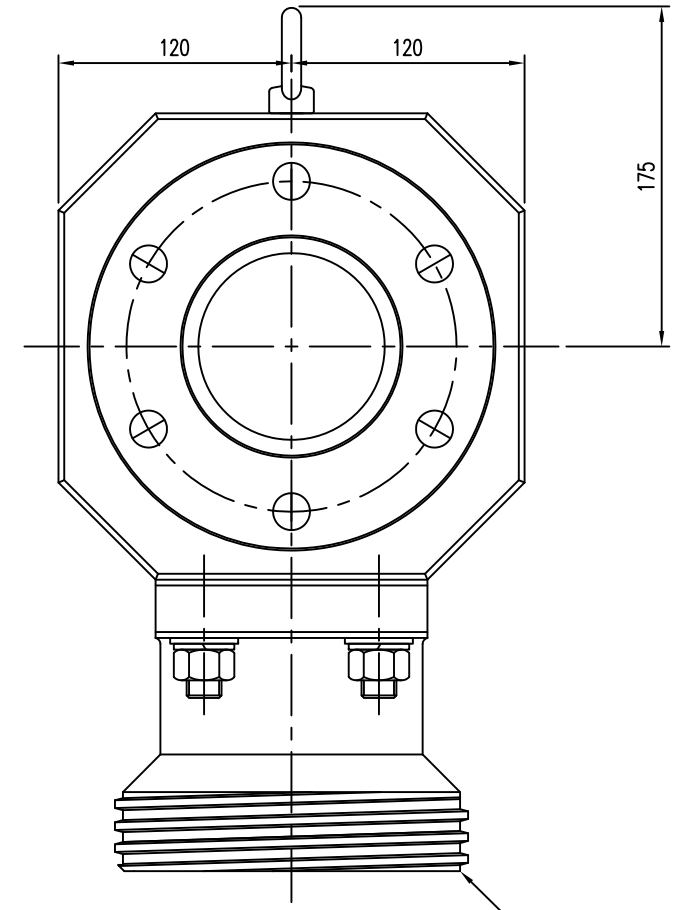


VIEW 'A'

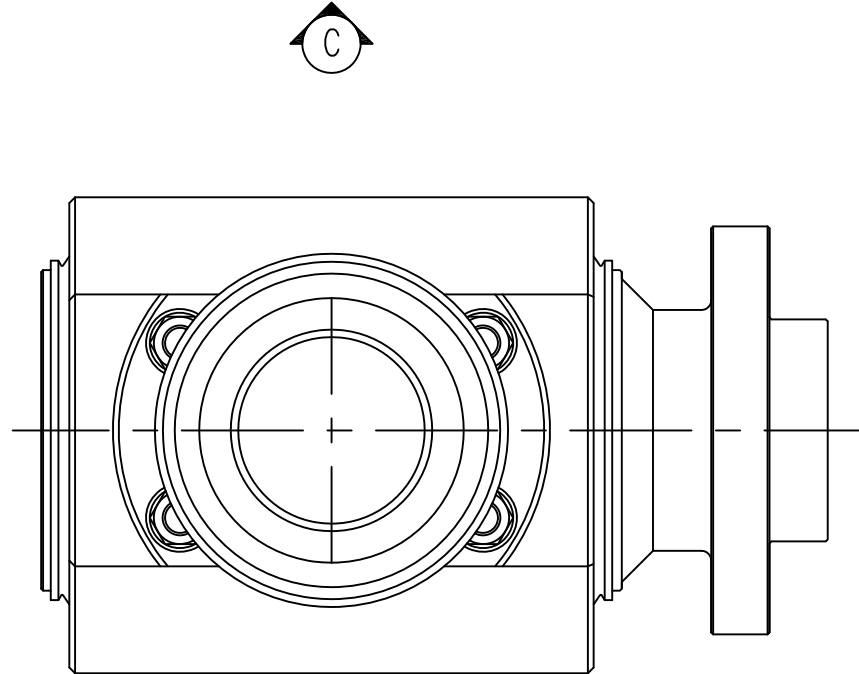


B

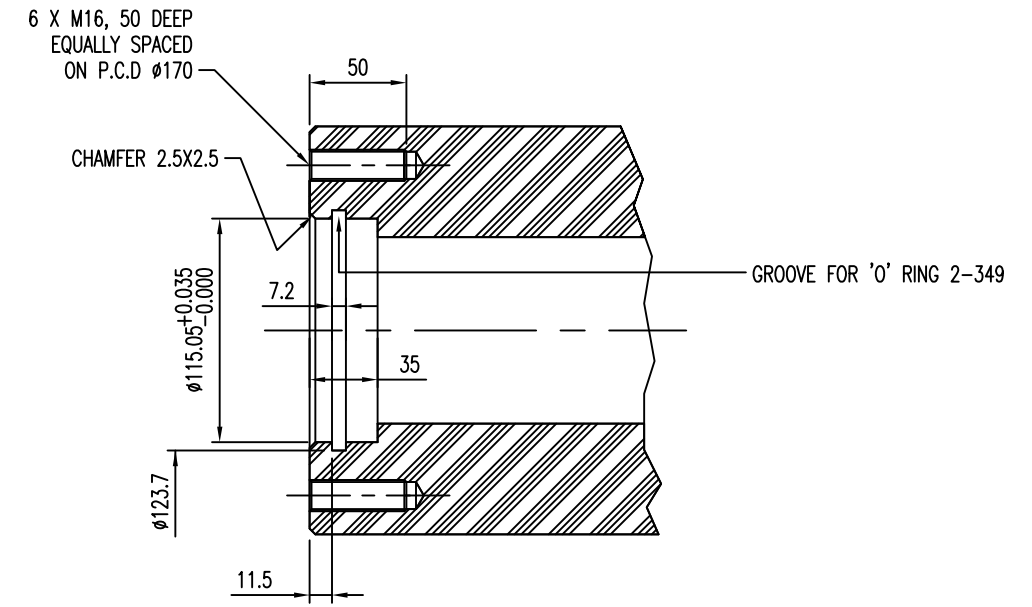


VIEW 'B'

4.00 INCH
FIG 200
MALE THREAD



VIEW 'C'



SHAFT END INTERFACE

ROTARY SWIVEL UNION SPECIFICATIONS	
NO.S OF PASSAGES	SINGLE PASSAGE
PASSAGE SIZE	4.00 INCH (NOMINAL BORE)
CONFIGURATION	RIGHT ANGLED
INLET CONNECTION	4" FIG 200 MALE THREAD
SHAFT END CONNECTION	SLIP-ON FLANGE AND STUDS
WORKING TEMPERATURE	-20°C ~ +70°C
WORKING PRESSURE	500 PSI MAX. (LIQUID)
	250 PSI MAX. (AIR)
MAX. ROTATING SPEED (WITH CLEAN MEDIUM)	5 RPM (UNDER PRESSURE)
	30 RPM (WITHOUT PRESSURE)

6 X M16, 50 DEEP
EQUALLY SPACED
ON P.C.D. 170

CHAMFER 2.5X2.5

GROOVE FOR 'O' RING 2-349

REV.	DATE	DESCRIPTION	OWN	CHK	APPD
0	05 JUL 16	ISSUE FOR MANUAL	ANN	AG	YE

Engineering & Technical Services	CLIENT :	DWG NO. :	SWL-4.00IN-00500
	VESSEL TYPE & HULL NO. :	TITLE :	4" ROTARY SWIVEL UNION 500 PSI PRESSURE RATING WITH THE ADAPTER
	T.B.A	SCALE :	N.T.S
		REV. :	0
		PROJECT REF. :	SPN-160601
		THIRD ANGLE PROJECTION	PAGE : A3
		ALL DIMENSIONS ARE IN MILLIMETERS UNLESS OTHERWISE STATED	SHT : 1/1